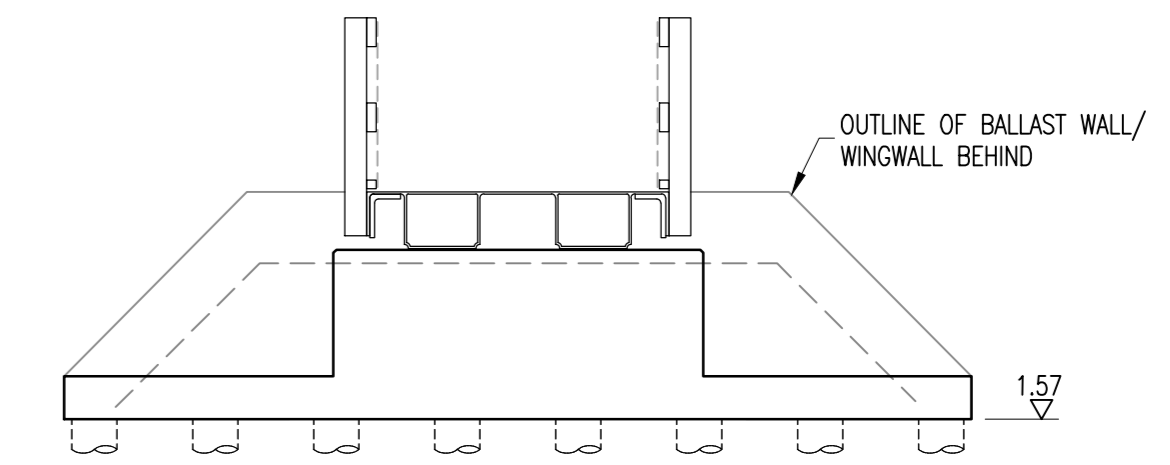
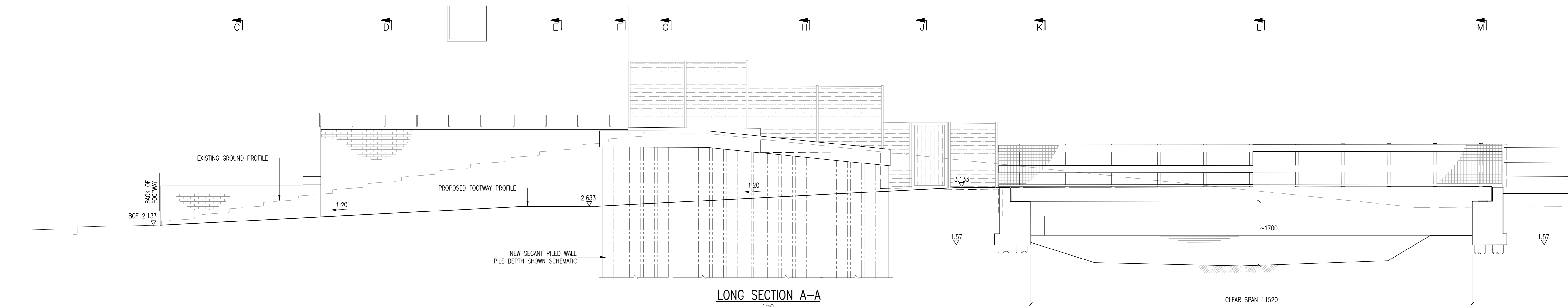


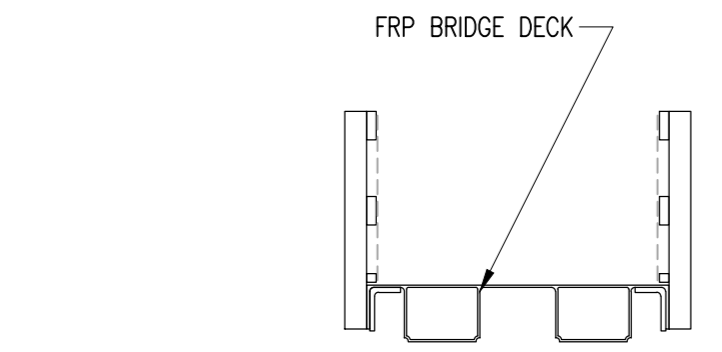
PLAN ON BRIGHTON ROAD ACCESS AND BRIDGE
1:50



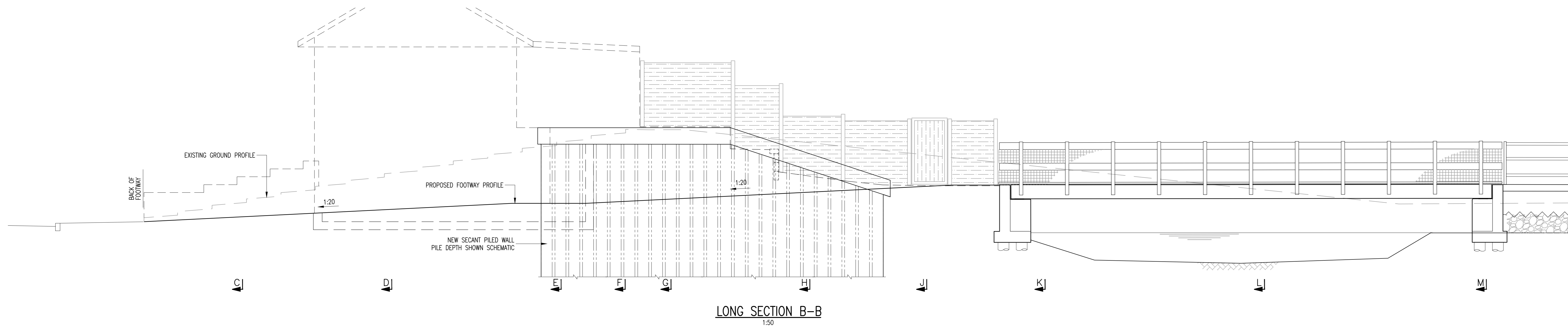
CROSS SECTION M-M
1:50



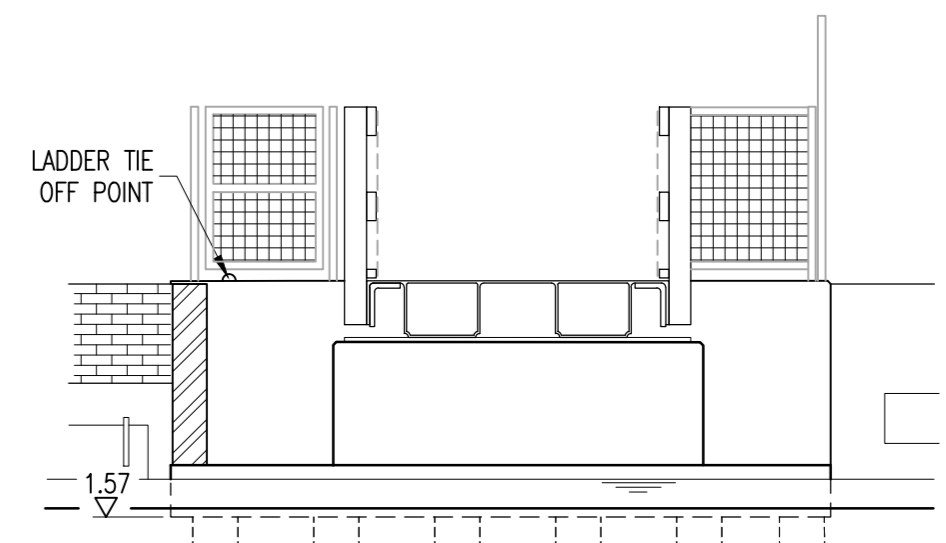
LONG SECTION A-A
1:50



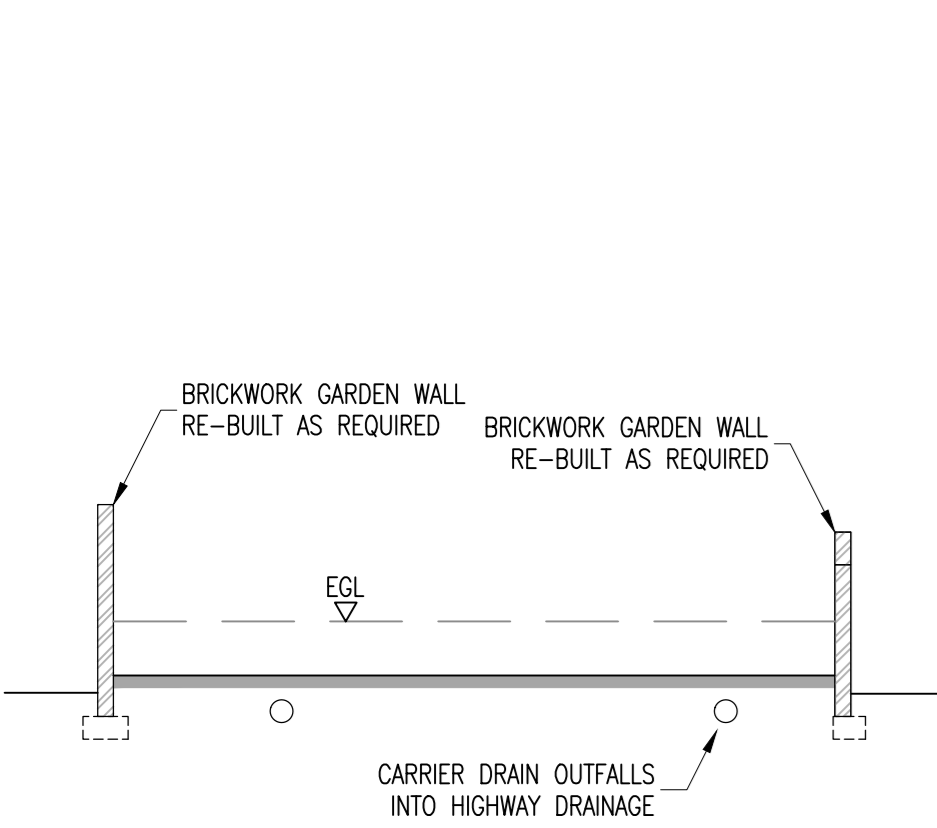
CROSS SECTION L-L
1:50



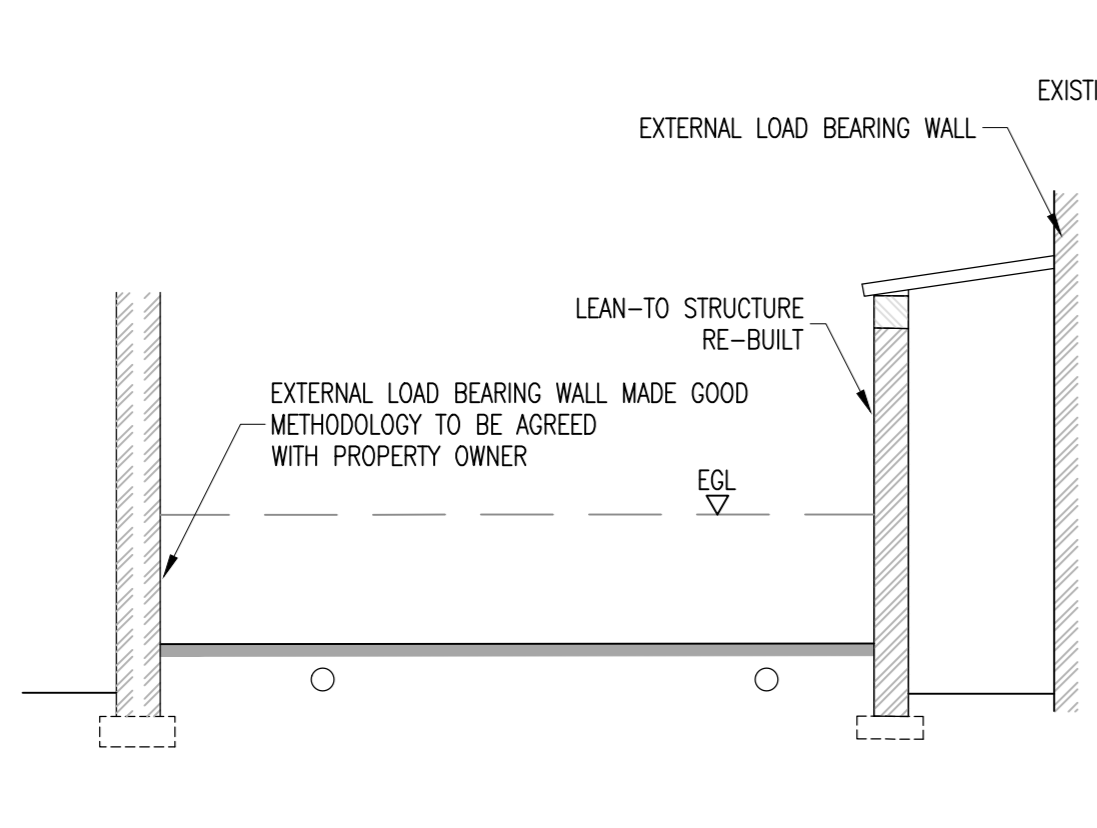
LONG SECTION B-B
1:50



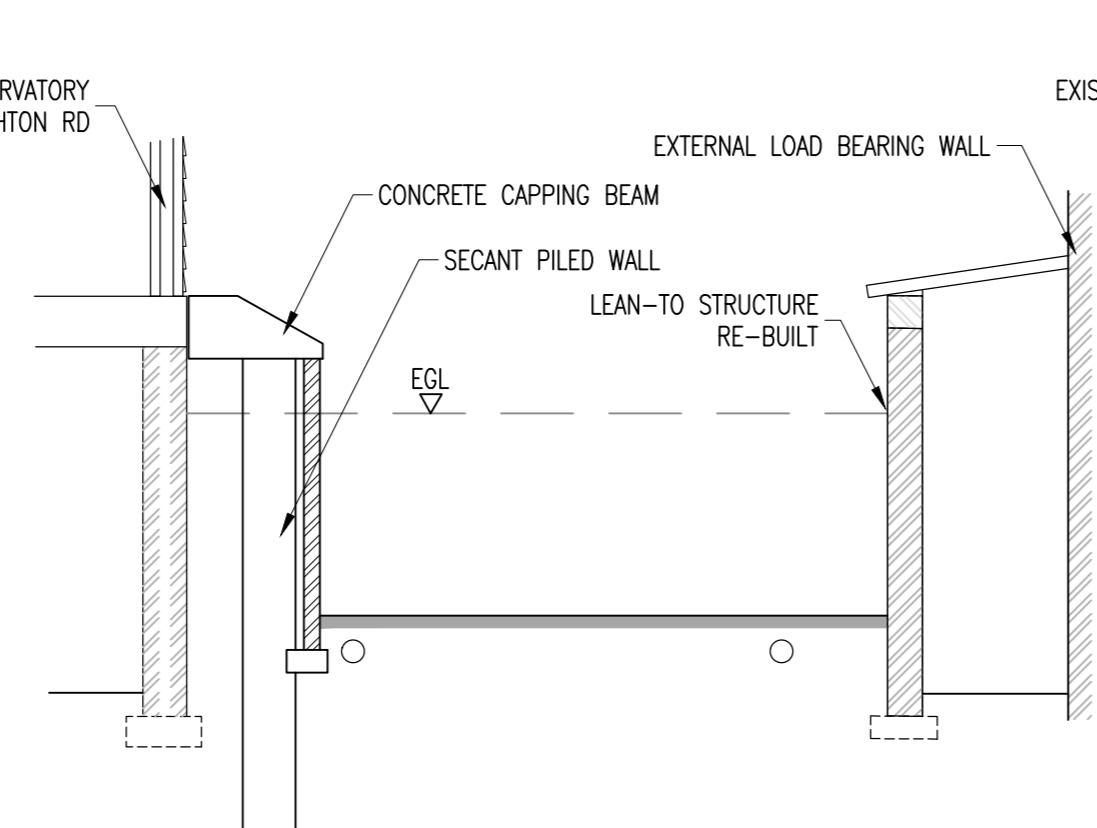
CROSS SECTION K-K
1:50



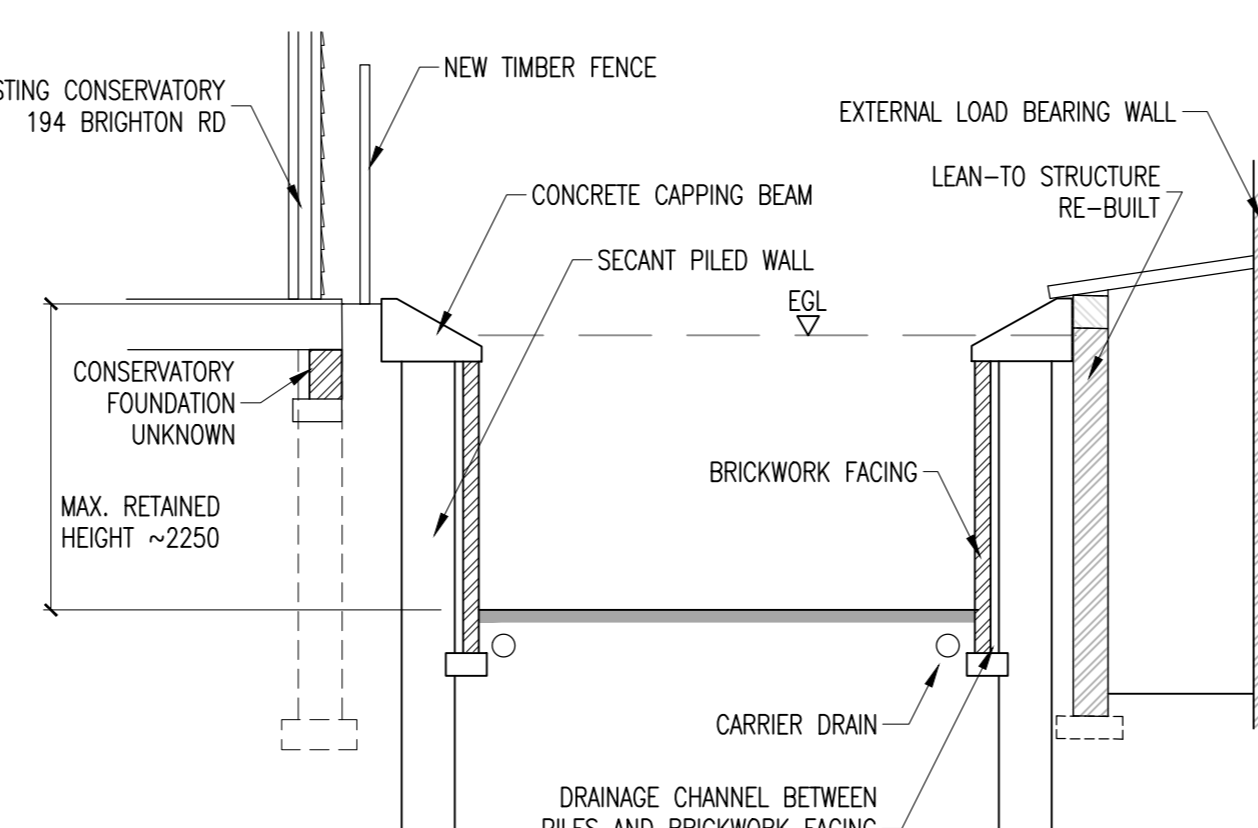
CROSS SECTION C-C
1:50



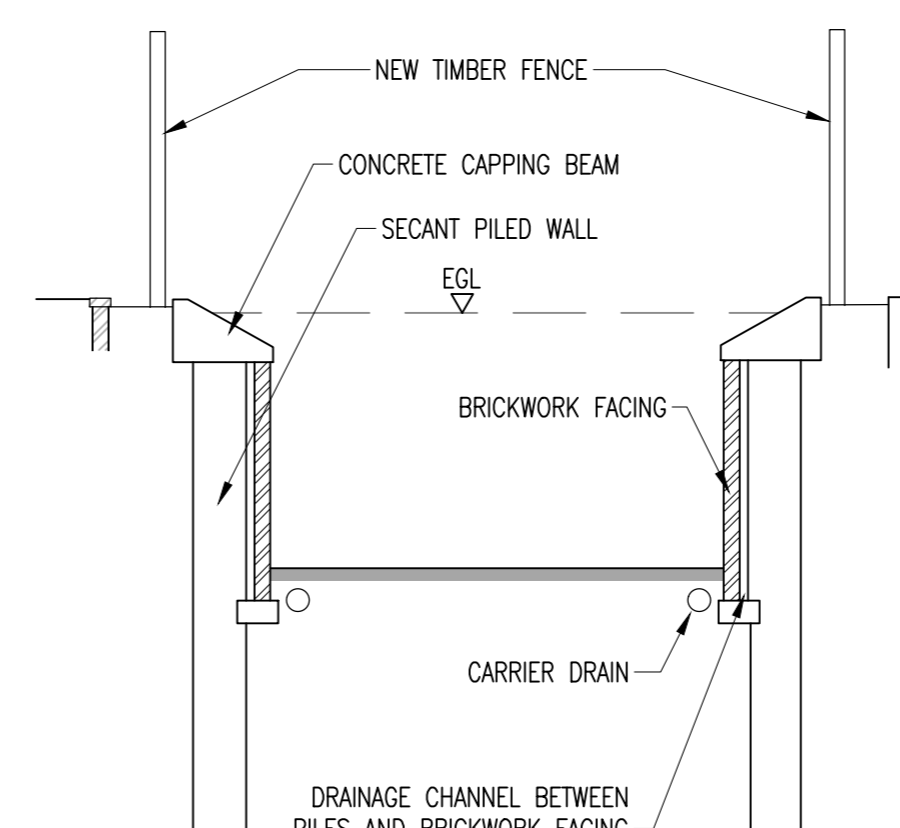
CROSS SECTION D-D
1:50



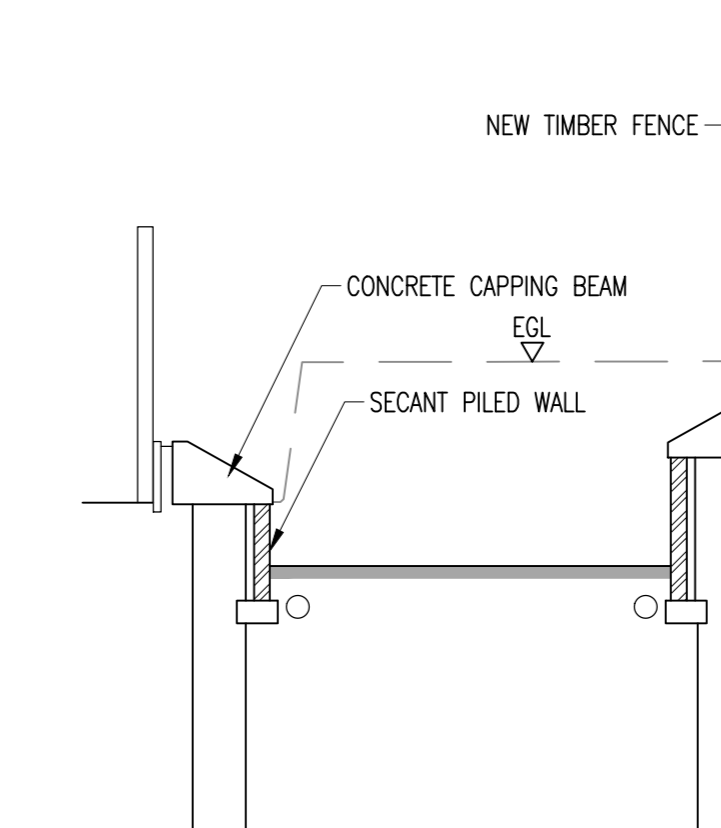
CROSS SECTION E-E
1:50



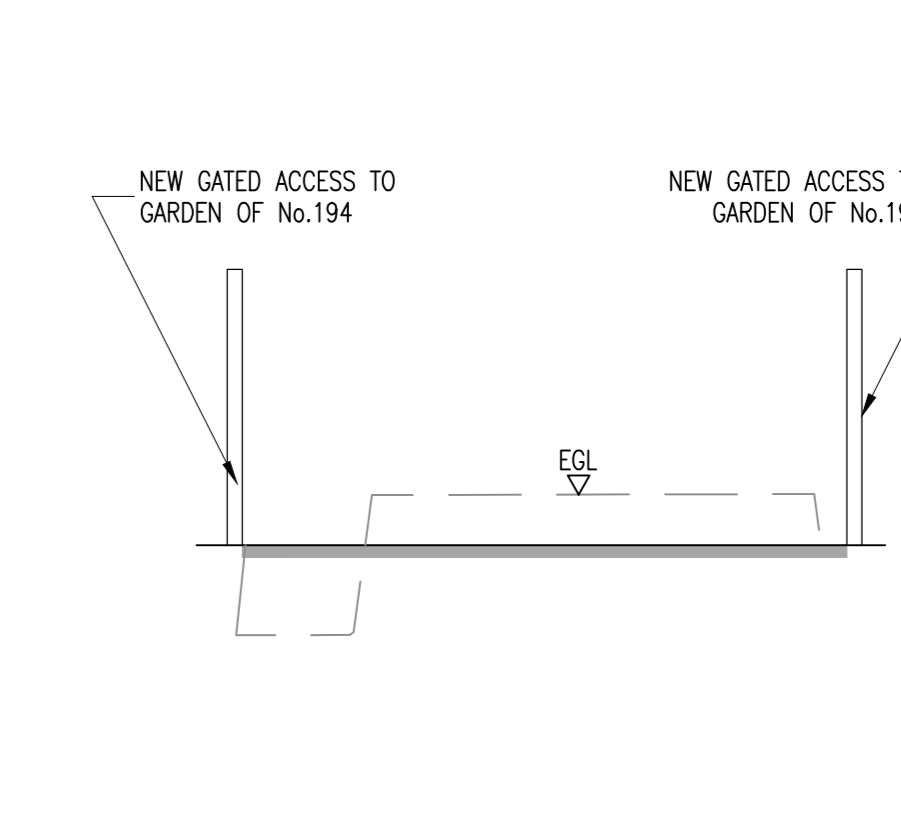
CROSS SECTION F-F
1:50



CROSS SECTION G-G
1:50



CROSS SECTION H-H
1:50



CROSS SECTION J-J
1:50

REV	DATE	BY	DESCRIPTION	CHK	APP
0	NOV '18	CPW	INITIAL ISSUE	APC	APC

DRAWING STATUS: APPROVAL IN PRINCIPLE

WSP
 Moulton House, Basing View, Basingstoke, Hampshire RG21 4HJ
 Tel: +44 (0)1256 318800 Fax: +44 (0)1256 318700
<http://www.wspgroup.com>



PROJECT: WIDEWATER LAGOON FOOTBRIDGE REPLACEMENT AND ROUTE UPGRADING
 TITLE: WIDEWATER LAGOON FOOTBRIDGE (REF:3029) AND WIDEWATER LAGOON NORTH APPROACH WALLS (REF: 6100) GENERAL ARRANGEMENT

SCALE	CHECKED	APPROVED
AS SHOWN	APC	APC
CAD FILE: 70022675-15_GAs	DESIGN DRAWING: CPW	DATE: NOV '18
PROJECT NO: 70022675-15	DRAWING NO: 70022675-15-101	REV: 0